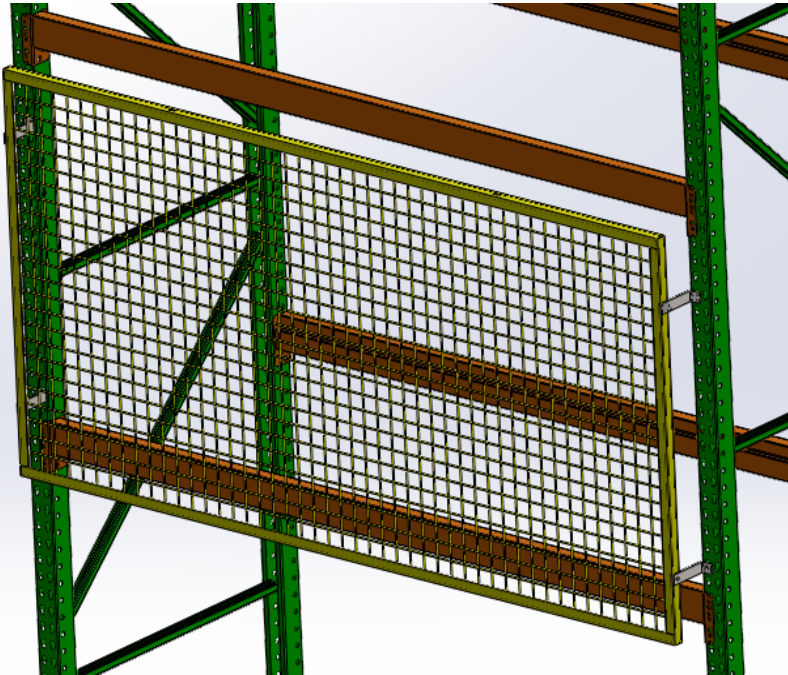


# RACK GUARD SYSTEM INSTALLATION INSTRUCTIONS



Material Required – Rack Guard Panel  
and Offset/Flush

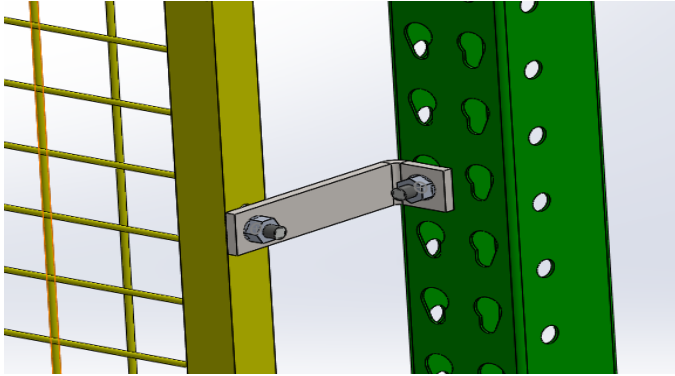
Mount Clips

Hardware Provided – 3/8" x 1" Carriage  
Bolts and Nuts

Tools Required – 9/16" Wrench.

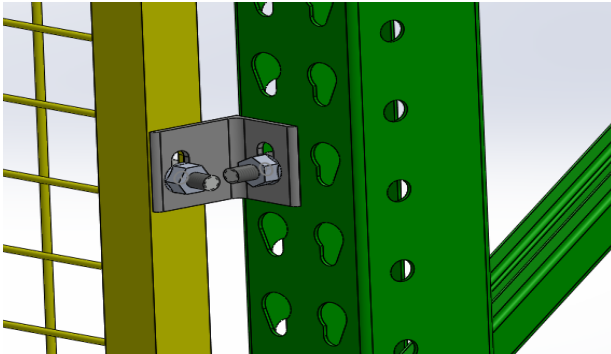
(2 or more people are required for easy  
installation)

# RACK GUARD INSTLLATION

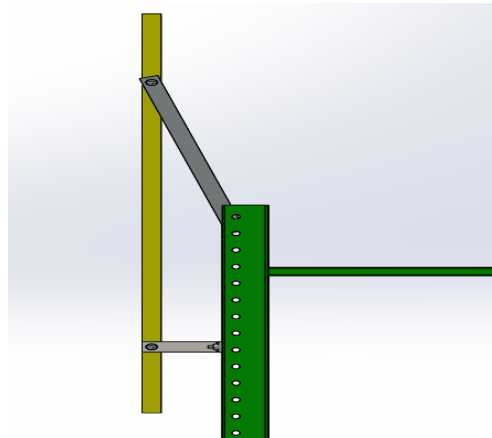


## Installation of Offset Mount Clip

- Attach offset clips to pallet rack at desired places. Each panel will require 4 clips.
- With the help of a person, lift rack guard and attach clips to it.
- Tighten all bolts/nuts



## Installation of Flush Mount Clip



## Installation of Rack Guard extended above pallet rack.