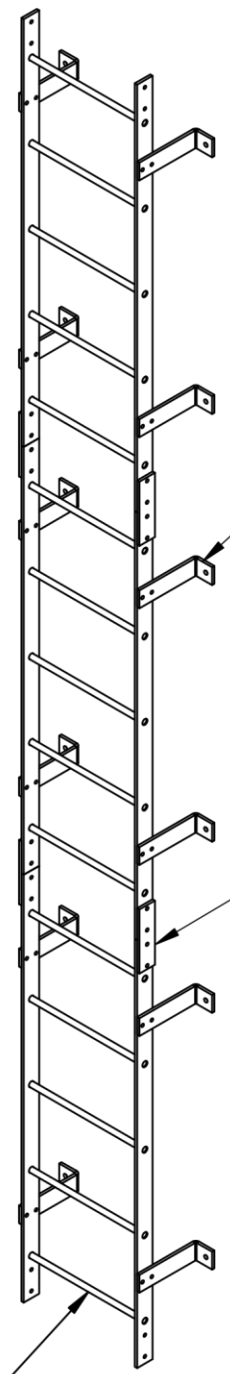
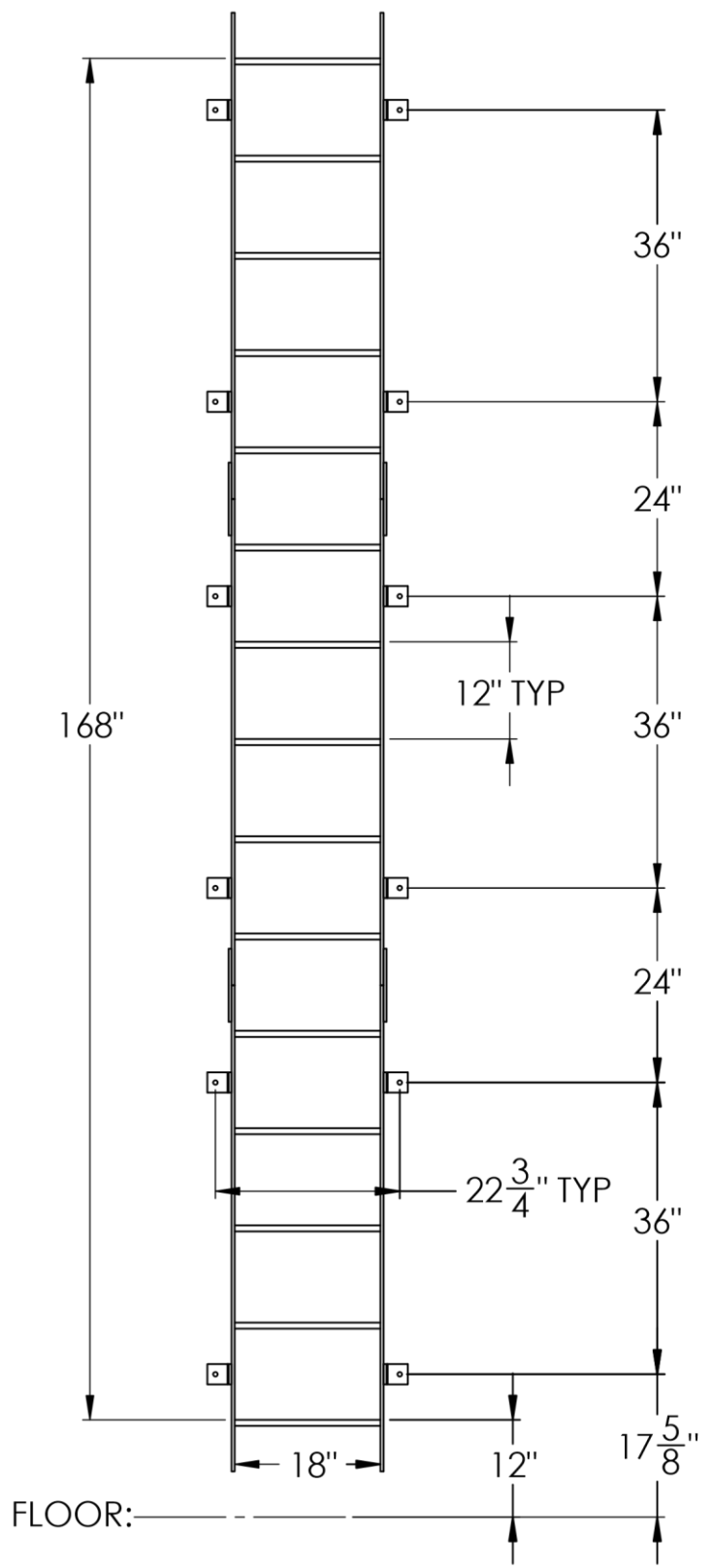
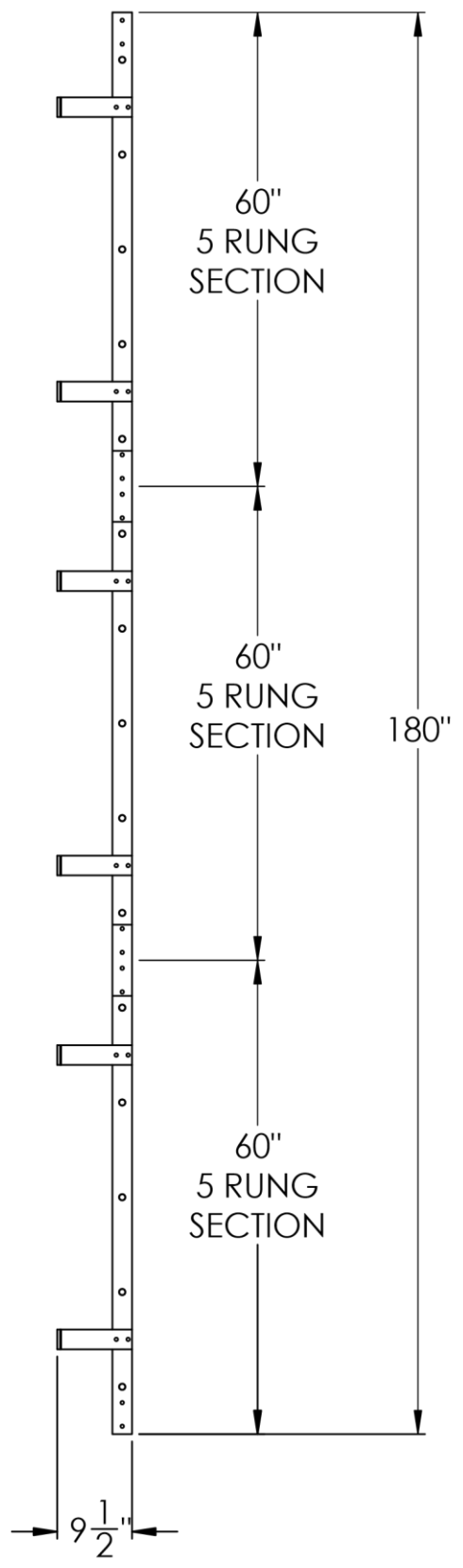


8 7 6 5 4 3 2 1

WLFS0115-Y:
 • 3 5-RUNG LADDER SECTIONS



STAND-OFF BRACKET WITH 9/16" HOLE MOUNTS TO WALL

CONNECTION BRACKET WITH 7/16" HOLE CONNECTS LADDER SEGMENTS

3/4" REBAR RUNG

350 LB CAPACITY

APPROVAL SIGNATURE:				TITLE: WLFS0115-Y		
DATE:				SIZE: B		
PROPRIETARY AND CONFIDENTIAL THE INFORMATION CONTAINED IN THIS DRAWING IS THE SOLE PROPERTY OF THE MANUFACTURER. ANY REPRODUCTION IN PART OR AS A WHOLE WITHOUT THE WRITTEN PERMISSION OF THE MANUFACTURER IS PROHIBITED.		LEAD TIME MATERIAL FINISH DO NOT SCALE DRAWING		DWG. NO. WLFS0115-Y		REV
DRAWN KSR	DATE 5/24/22	SCALE: 1:20		WEIGHT:		SHEET 1 OF 1

8 7 6 5 4 3 2 1