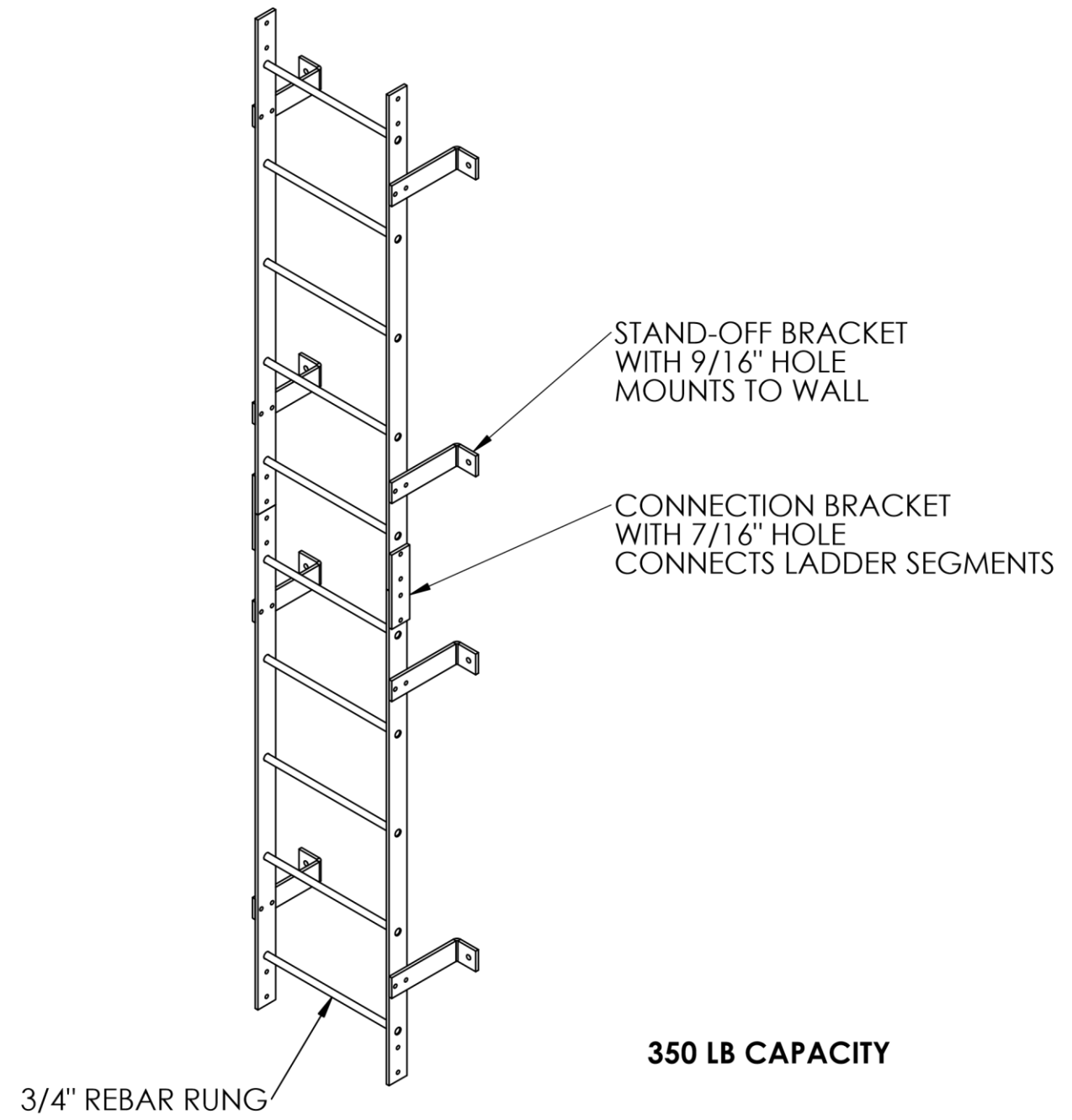
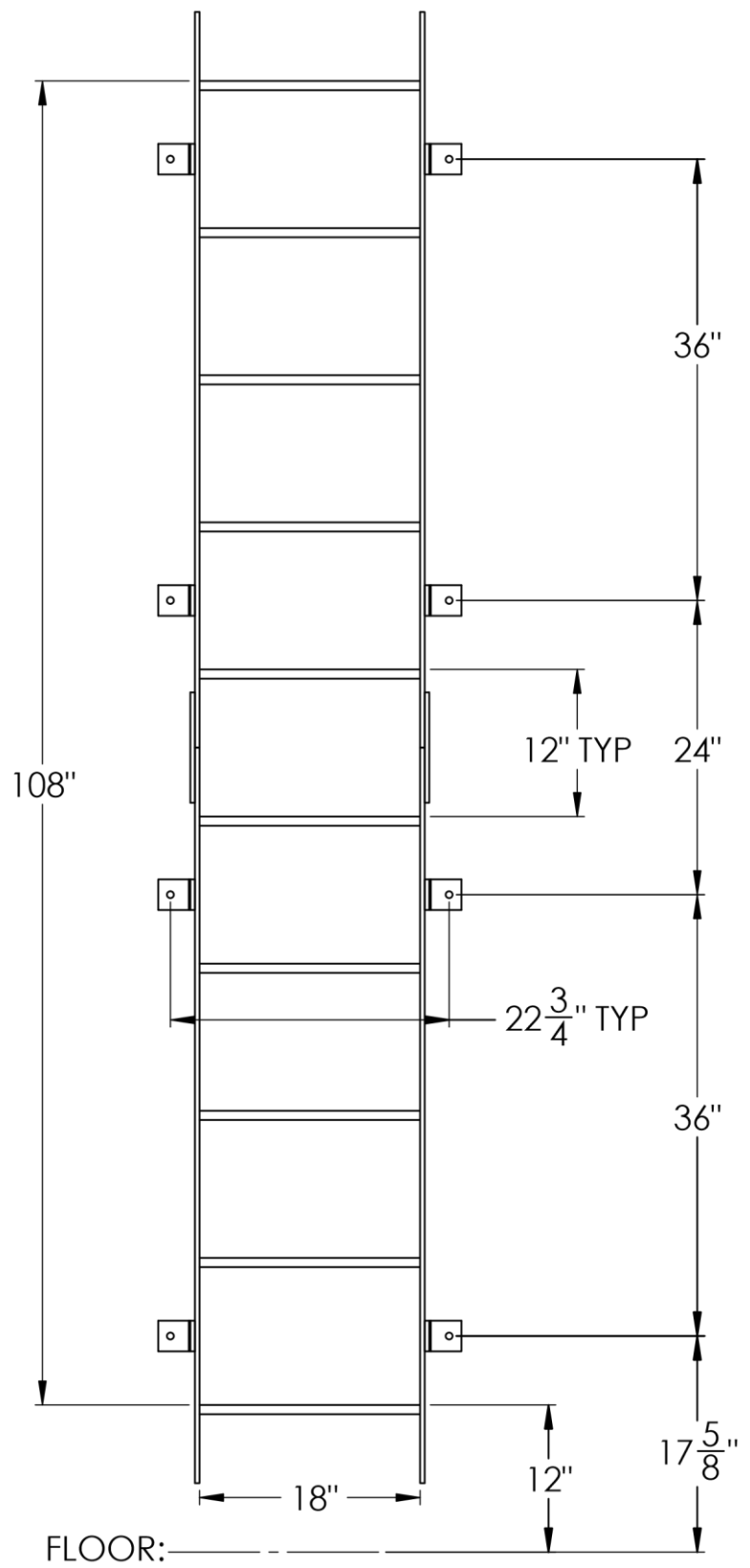
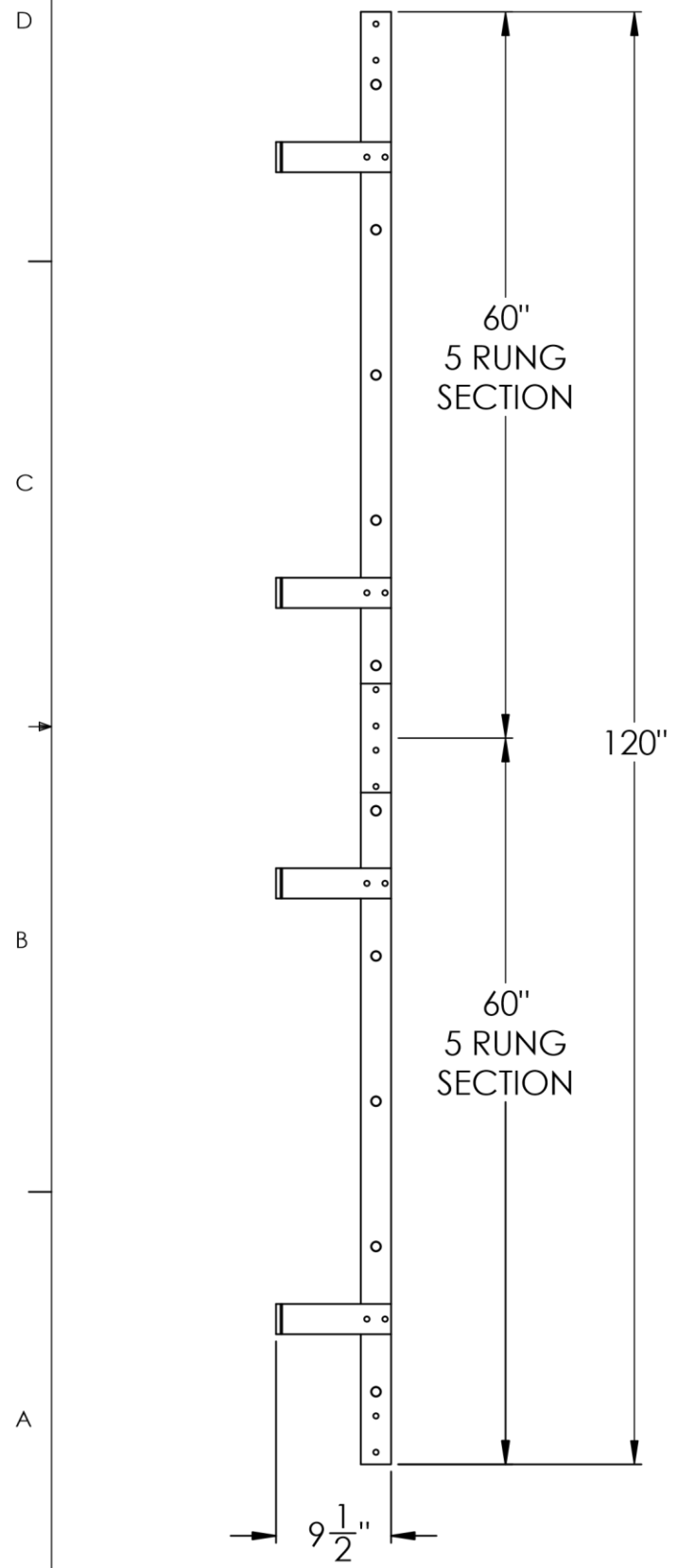


8 7 6 5 4 3 2 1

WLFS0110-Y:
 • 2 5-RUNG LADDER SECTIONS



APPROVAL SIGNATURE:				TITLE: WLFS0110-Y		
DATE:				SIZE B		
PROPRIETARY AND CONFIDENTIAL THE INFORMATION CONTAINED IN THIS DRAWING IS THE SOLE PROPERTY OF THE MANUFACTURER. ANY REPRODUCTION IN PART OR AS A WHOLE WITHOUT THE WRITTEN PERMISSION OF THE MANUFACTURER IS PROHIBITED.		LEAD TIME MATERIAL FINISH DO NOT SCALE DRAWING		DWG. NO. WLFS0110-Y		REV
DRAWN KSR	5/24/22	SCALE: 1:15		WEIGHT:		SHEET 1 OF 1

8 7 6 5 4 3 2 1