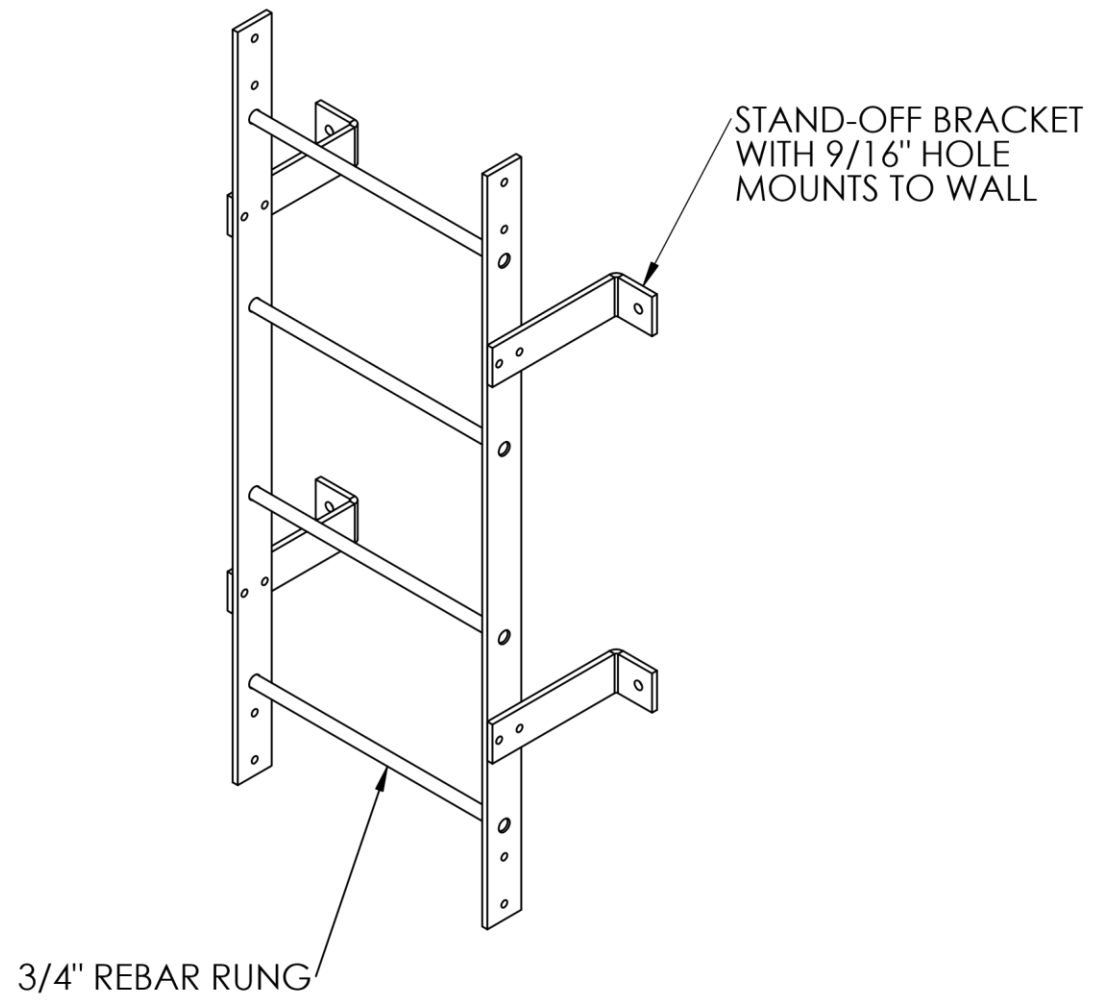
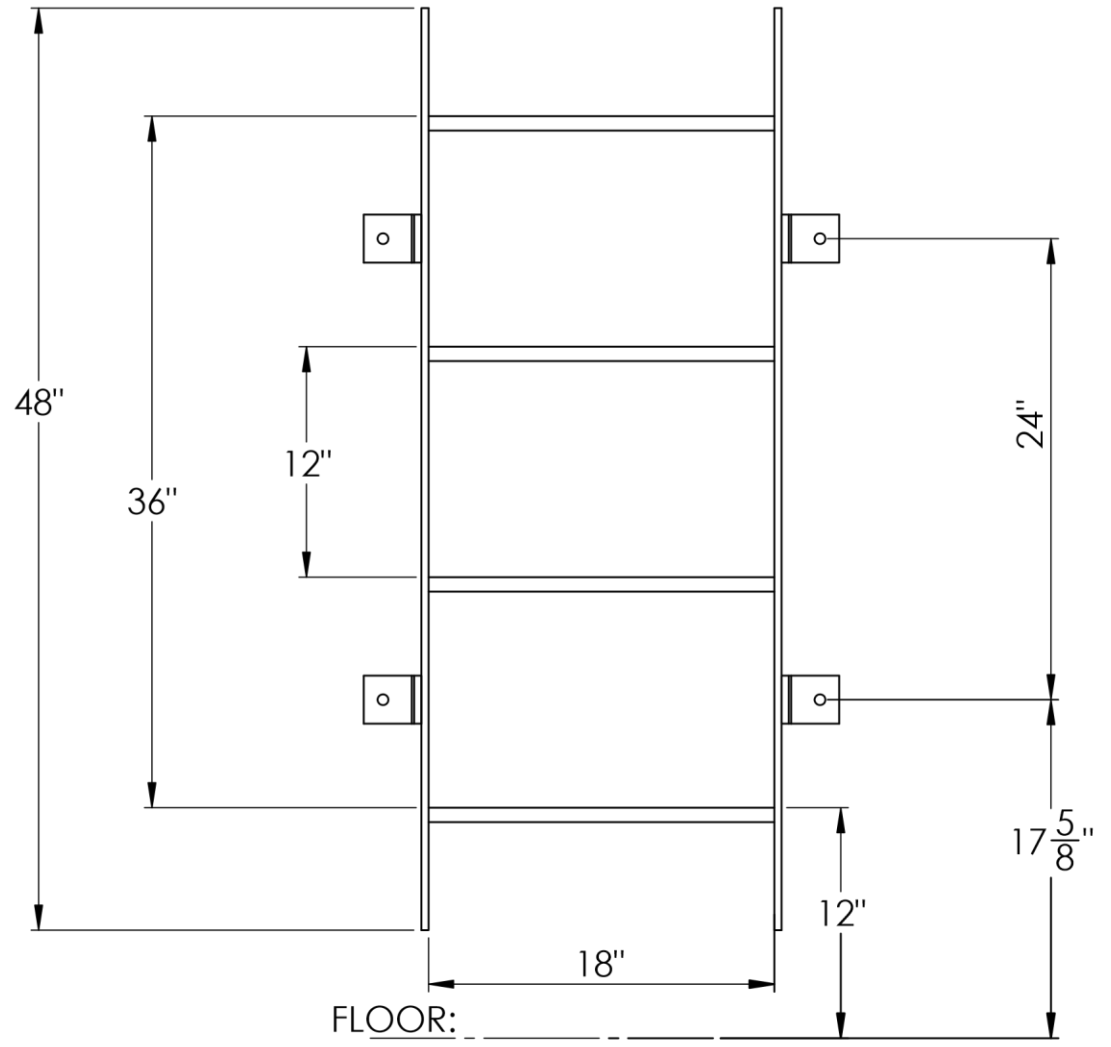
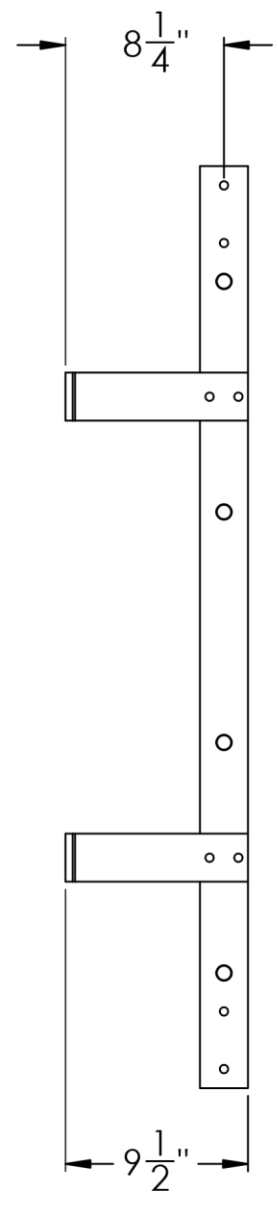


8 7 6 5 4 3 2 1

D
C
B
A



350 LB CAPACITY

Industrial Warehouse Supply

| | | | | | | |
|---|-----------|-------|-------------|----------------|--------------|----------|
| APPROVAL SIGNATURE: | | | | TITLE: | | |
| DATE: | | | | WLFS0104-Y | | |
| PROPRIETARY AND CONFIDENTIAL THE INFORMATION CONTAINED IN THIS DRAWING IS THE SOLE PROPERTY OF THE MANUFACTURER. ANY REPRODUCTION IN PART OR AS A WHOLE WITHOUT THE WRITTEN PERMISSION OF THE MANUFACTURER IS PROHIBITED. | LEAD TIME | | SIZE | DWG. NO. | REV | |
| | MATERIAL | | | | | B |
| | FINISH | | SCALE: 1:10 | WEIGHT: 46.320 | SHEET 1 OF 1 | |
| DO NOT SCALE DRAWING | | DRAWN | KSR | 5/16/22 | | |

8 7 6 5 4 3 2 1